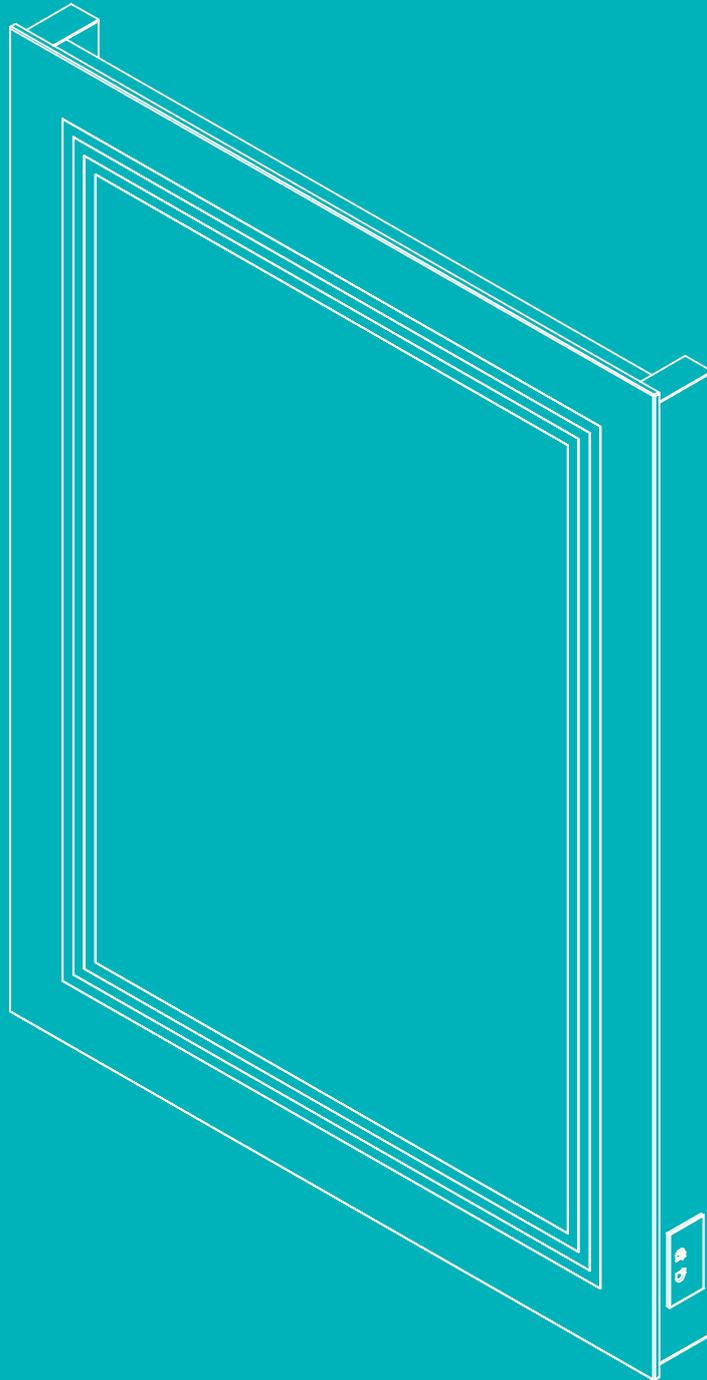


HiB

MAKING
BATHROOMS
BEAUTIFUL

**Technical Drawing &
FAQ Data Sheets**

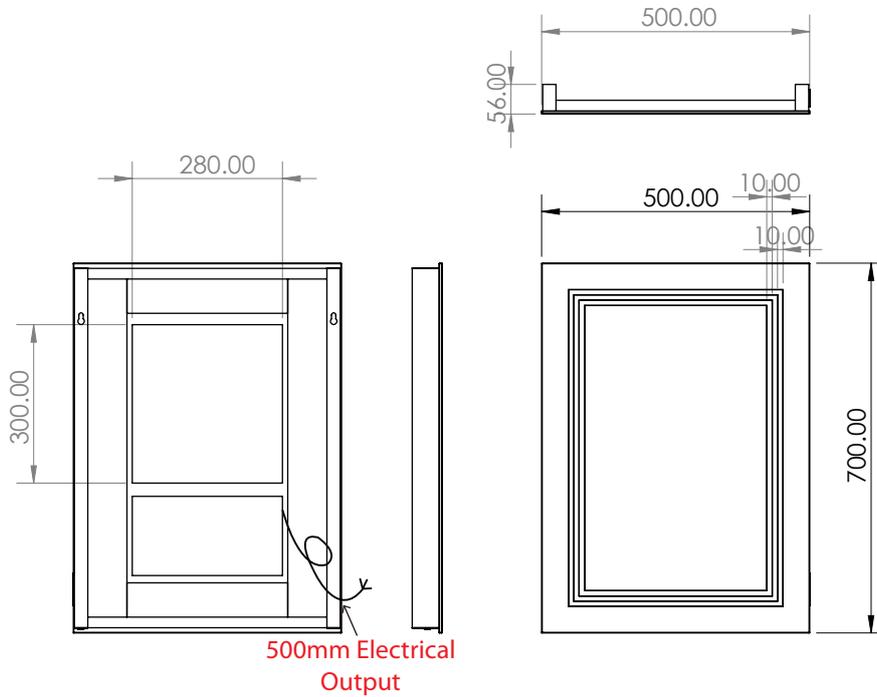


**Boundary 50
Boundary 60
Boundary 80**

HiB recommend you receive the product before commencing with installation as all sizes and measurements are approximate.
HiB try and ensure all measurements are as accurate as possible.
In the interest of continuous product development, HiB reserves the right to alter specification as necessary. E & OE.

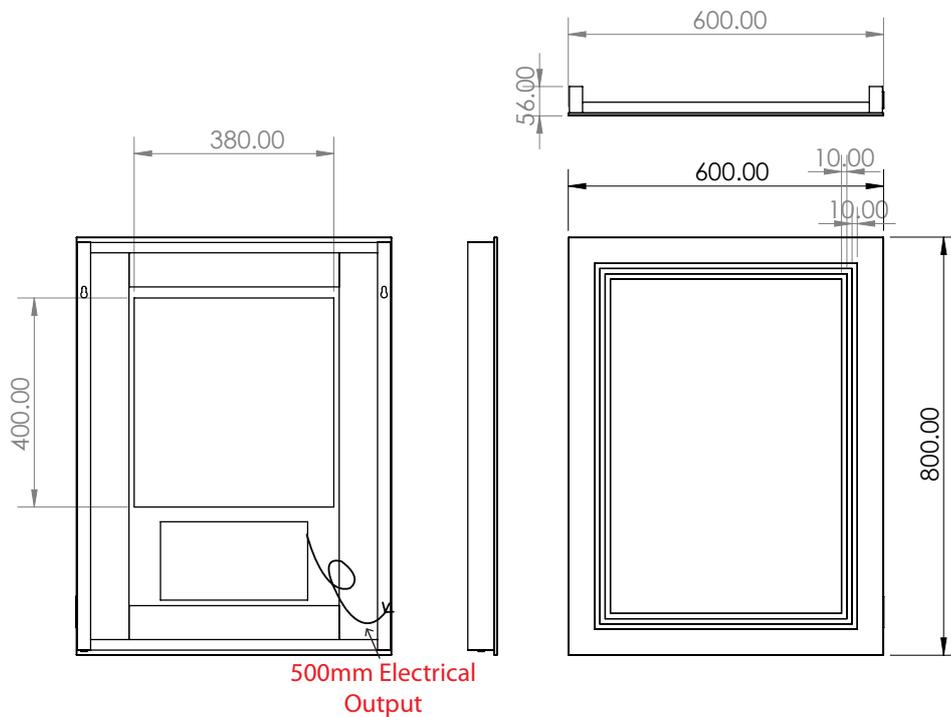
Boundary 50

Art no. 79540500



Boundary 60

Art no. 79540600



Electrical Safety Information

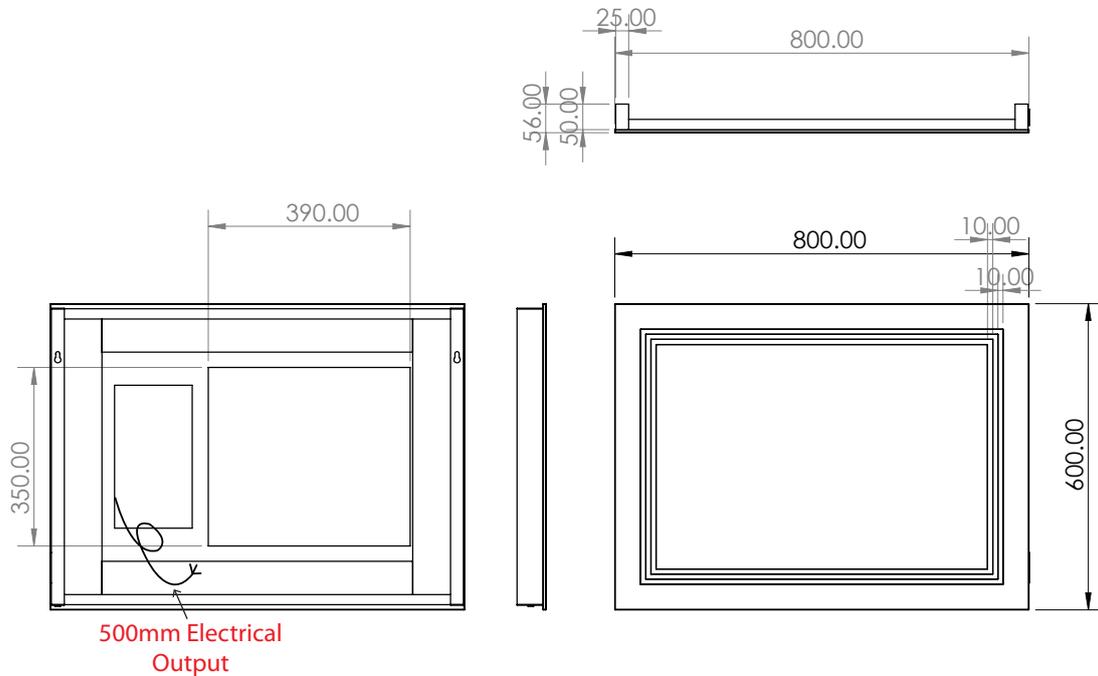
HiB recommends that all electrical bathroom products should only be fitted by a suitably qualified, Part P registered electrician in accordance with current IEE regulations.

- Ensure mains power supply is switched off before starting installation.
- Before drilling, ensure there are no hidden cables or pipes in the wall.

HiB recommend you receive the product before commencing with installation as all sizes and measurements are approximate.
HiB try and ensure all measurements are as accurate as possible.
In the interest of continuous product development, HiB reserves the right to alter specification as necessary. E & OE.

Boundary 80

Art no. 79540700



Electrical Safety Information

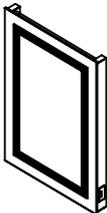
HiB recommends that all electrical bathroom products should only be fitted by a suitably qualified, Part P registered electrician in accordance with current IEE regulations.

Ensure mains power supply is switched off before starting installation.

Before drilling, ensure there are no hidden cables or pipes in the wall.

Boundary

50, 60 & 80

		Version No. 21.05.19
	Product	Boundary 50, 60, & 80
	Art. No.	Boundary 50: 79540500, Boundary 60: 79540600 , Boundary 80: 79540700,
	Product Description	With its striking double LED border, Boundary will light up your bathroom routine perfectly. The mirror is also fitted with integrated shaver socket and heated pad for a crystal-clear view.

Question	Answer
Nett weight (kg)	Boundary 50: 6.1kg / Boundary 60: 8.2kg / Boundary 80: 8.2kg
Light Source	LED
Light Source Average Lifespan	Average: 20,000 hr
Total Rated Wattage (W)	Boundary 50: 42w / Boundary 60: 61.9w / Boundary 80: 61.9w
Lumens (Lm)	Boundary 50: 2772lm / Boundary 60: 33489lm / Boundary 80: 3348lm
Kelvins (k)	Boundary 50: 6400k / Boundary 60: 6400k / Boundary 80: 6400k
Is the mirror dimmable?	No
Energy Rating	A Class
What orientation can the mirror be hung in?	Boundary 50, 60, 80 PORTRAIT only
Is the heated pad only on when the mirror is illuminated?	Yes
Does the mirror require an earth connection?	Yes
Can I bypass the sensor so the mirror comes on with the main room light?	Yes
Is it cool white or warm white illumination?	Cool white
How long is the warranty?	5 years from date of purchase on silvering coating on mirror 2 years from date of purchase on electrical components in the mirror

Electrical Safety Information

HiB recommends that all electrical bathroom products should only be fitted by a suitably qualified, Part P registered electrician in accordance with current IEE regulations.

Ensure mains power supply is switched off before starting installation.

Before drilling, ensure there are no hidden cables or pipes in the wall.

HiB recommend you receive the product before commencing with installation as all sizes and measurements are approximate.

HiB try and ensure all measurements are as accurate as possible.

In the interest of continuous product development, HiB reserves the right to alter specification as necessary. E & OE.