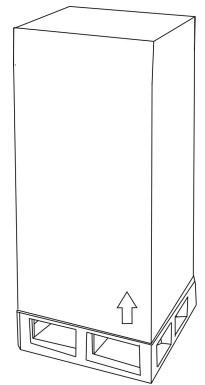
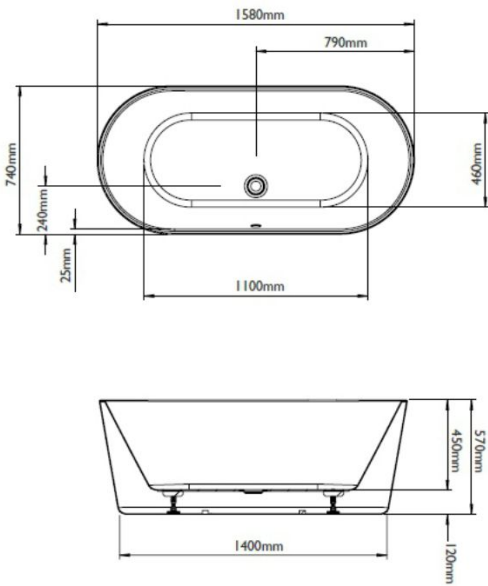


CUSTOMER SPECIFICATION SHEET - BATHS

SALES CODE: BAS005

DESCRIPTION: VIADO 1580 FREESTANDING BATH



PRODUCT DIMENSIONS

Length (mm)	Width (mm)	Depth (mm)	Nett Wgt Kg
1580	740	570	45

PACKAGING DIMENSIONS

Length (mm)	Width (mm)	Height (mm)	Gross Wgt Kg
1600	760	625	44

PACKAGING DATA

Box Colour	Brown Cardboard Sleeve		
Box Qty	1	Label Colour	White Label
Label Size	100 X 50	Label Qty	2

OUTER BOX DIMENSIONS (If Applicable)

Length (mm)	Width (mm)	Depth (mm)	Gross Wgt Kg
1200	800	1740	55
Barcode			

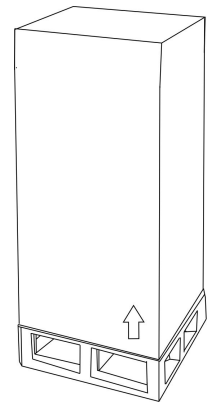
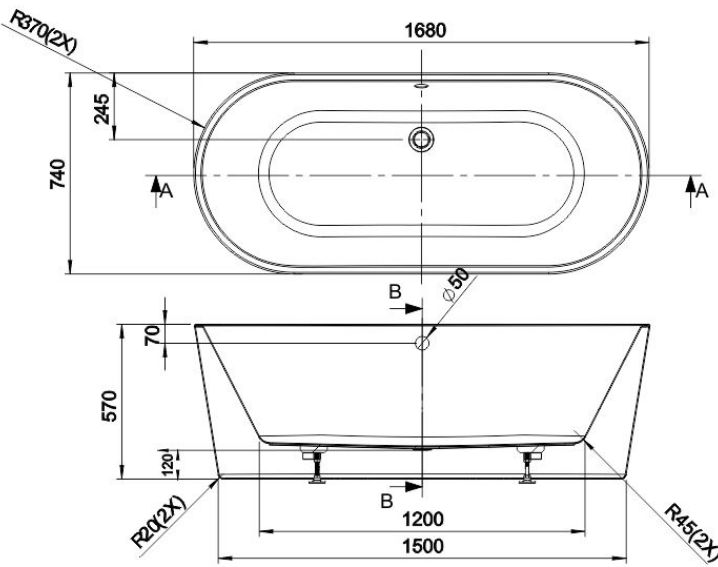
PRODUCT DETAILS

Country of Origin	China	Certification	FSC	CE
Fitting Instruction	No	Material Colour Ref'	European White	
Product Material	Acrymite Acrylic	Waste Inc'	Push Down Waste Included	
Volume (Ltr)	225	Includes Grips	No Grips Supplied	
Leg Set Inc'	Legset Included	No of Tapholes	None	
Drilled/Undrilled	Undrilled For Taps			
Embossed	No			
Anti-Slip	No			

CUSTOMER SPECIFICATION SHEET - BATHS

SALES CODE: BAS007

DESCRIPTION: VIADO 1680 FREESTANDING BATH



PRODUCT DIMENSIONS

Length (mm)	Width (mm)	Depth (mm)	Nett Wgt Kg
1680	740	570	45

PACKAGING DIMENSIONS

Length (mm)	Width (mm)	Depth (mm)	Gross Wgt Kg
1700	760	610	52

PACKAGING DATA

Box Colour	Brown Cardboard Sleeve		
Box Qty	1	Label Colour	White Label
Label Size	100 X 50	Label Qty	2

OUTER BOX DIMENSIONS (If Applicable)

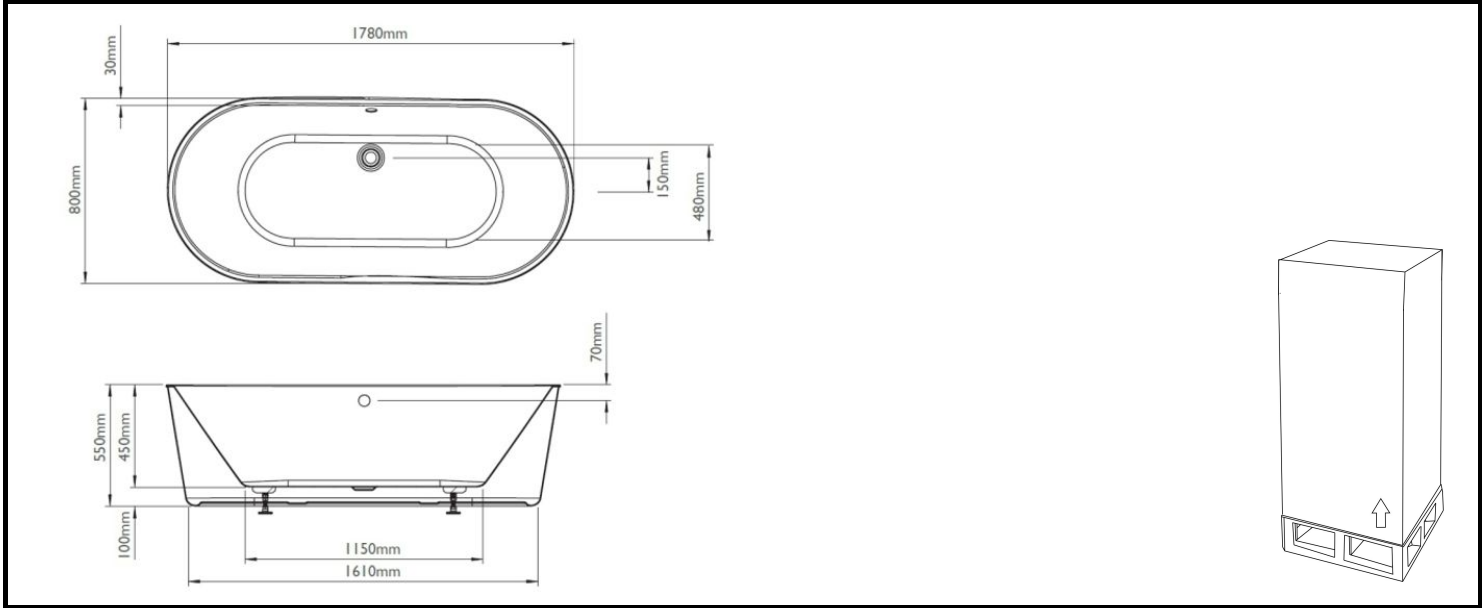
Length (mm)	Width (mm)	Depth (mm)	Gross Wgt Kg
1200	800	1840	63
Barcode			

PRODUCT DETAILS

Country of Origin	China	Certification	FSC	CE
Fitting Instruction	No	Material Colour Ref'	European White	
Product Material	Acrymite Acrylic	Waste Inc'	Push Down Waste Included	
Volume (Ltr)	225	Includes Grips	No Grips Supplied	
Leg Set Inc'	Legset Included	No of Tapholes	None	
Drilled/Undrilled	Undrilled For Taps			
Embossed	No			
Anti-Slip	No			

CUSTOMER SPECIFICATION SHEET - BATHS

SALES CODE: BAS010	DESCRIPTION: VIADO 1780 FREESTANDING BATH
---------------------------	--



PRODUCT DIMENSIONS			
Length (mm)	Width (mm)	Depth (mm)	Nett Wgt Kg
1780	800	550	56

PACKAGING DIMENSIONS			
Length (mm)	Width (mm)	Depth (mm)	Gross Wgt Kg
1800	820	600	55

PACKAGING DATA			
Box Colour	Brown Cardboard Sleeve		
Box Qty	1	Label Colour	White Label
Label Size	100 X 50	Label Qty	2

OUTER BOX DIMENSIONS (If Applicable)			
Length (mm)	Width (mm)	Height (mm)	Gross Wgt Kg
1200	800	1940	62
Barcode			

PRODUCT DETAILS							
Country of Origin	China			Certification	FSC	CE	
Fitting Instruction	No			Material Colour Ref	European White		
Product Material	Acrymite Acrylic			Waste Inc'	Push Down Waste Included		
Volume (Ltr)	265			Includes Grips	No Grips Supplied		
Leg Set Inc'	Legset Included			No of Tapholes	None		
Drilled/Undrilled	Undrilled For Taps						
Embossed	No						
Anti-Slip	No						