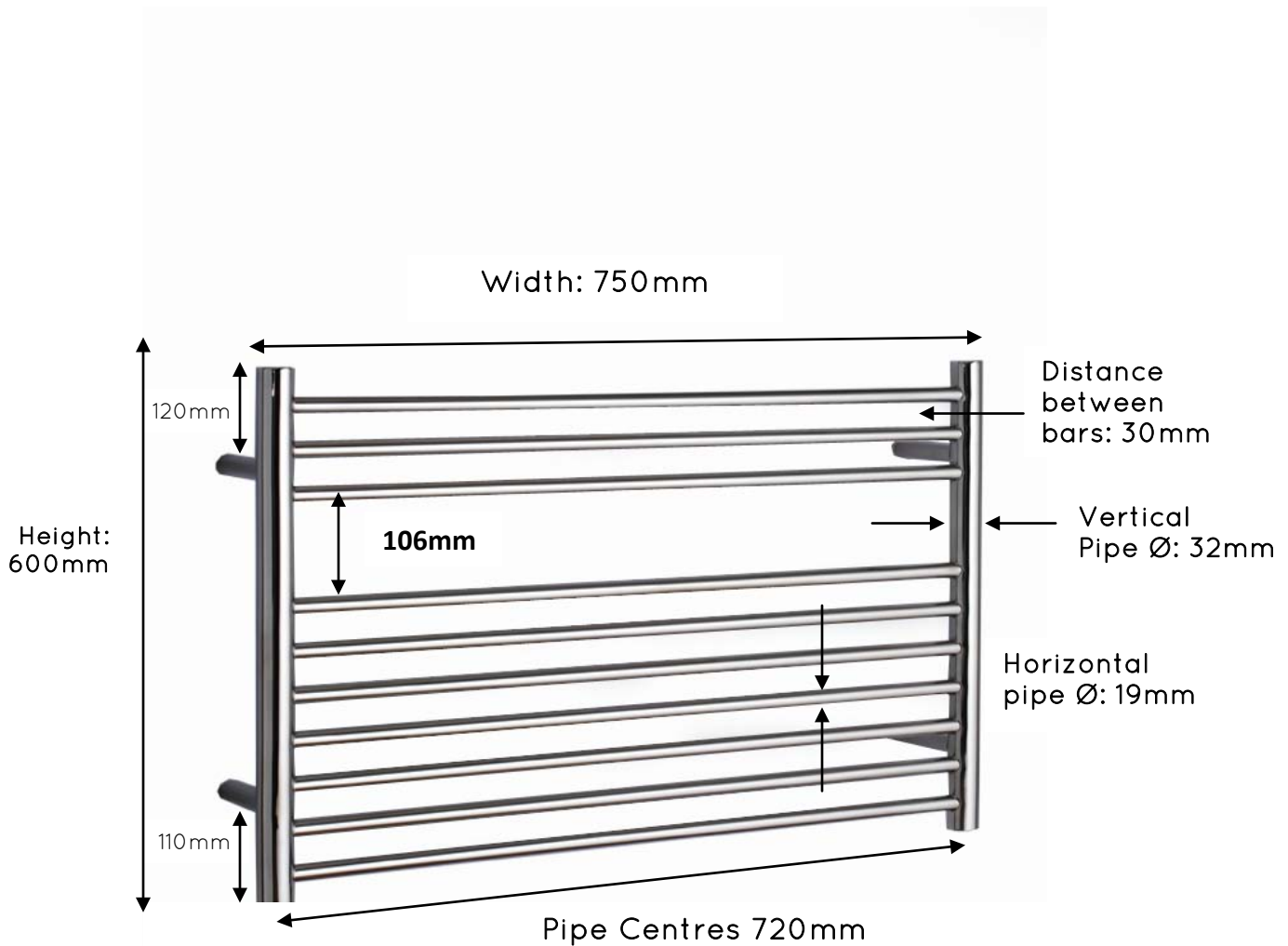


JIS EUROPE
100% STAINLESS STEEL

EST 1997

HEATED TOWEL RAILS

Newick 600mm x 750mm



Overall Projection: 117mm*

Pipe Centres from the Wall: 102mm

*When using short brackets, projection and pipe centres from wall will be reduced by 25mm.

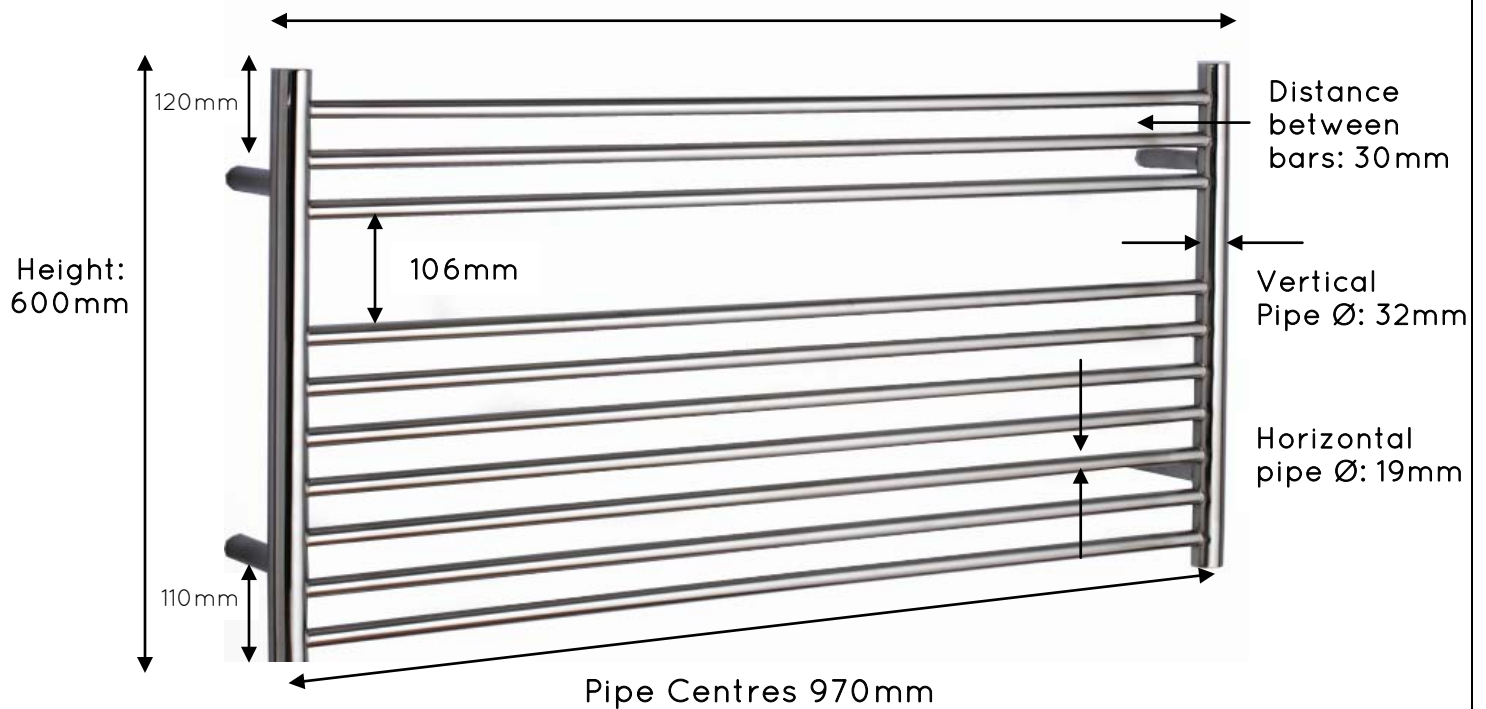
JIS EUROPE
100% STAINLESS STEEL

EST 1997

HEATED TOWEL RAILS

Newick 600mm x 1000mm

Width: 1000mm



Overall Projection: 117mm*

Pipe Centres from the Wall: 102mm

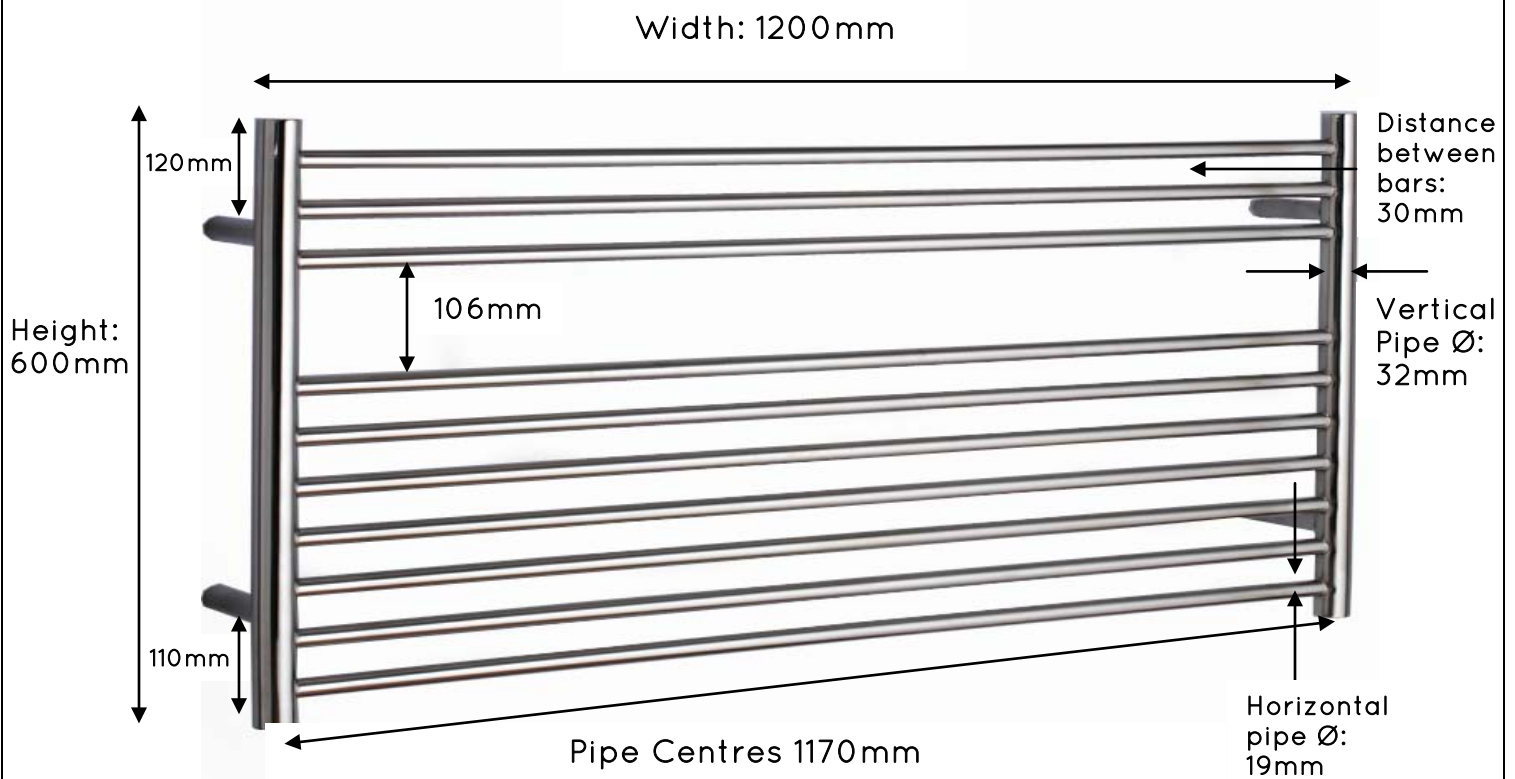
*When using short brackets, projection and pipe centres from wall will be reduced by 25mm.

JIS EUROPE
100% STAINLESS STEEL

— EST 1997 —

HEATED TOWEL RAILS

Newick 600mm x 1200mm



Overall Projection: 117mm*

Pipe Centres from the Wall: 102mm

*When using short brackets, projection and pipe centres from wall will be reduced by 25mm.