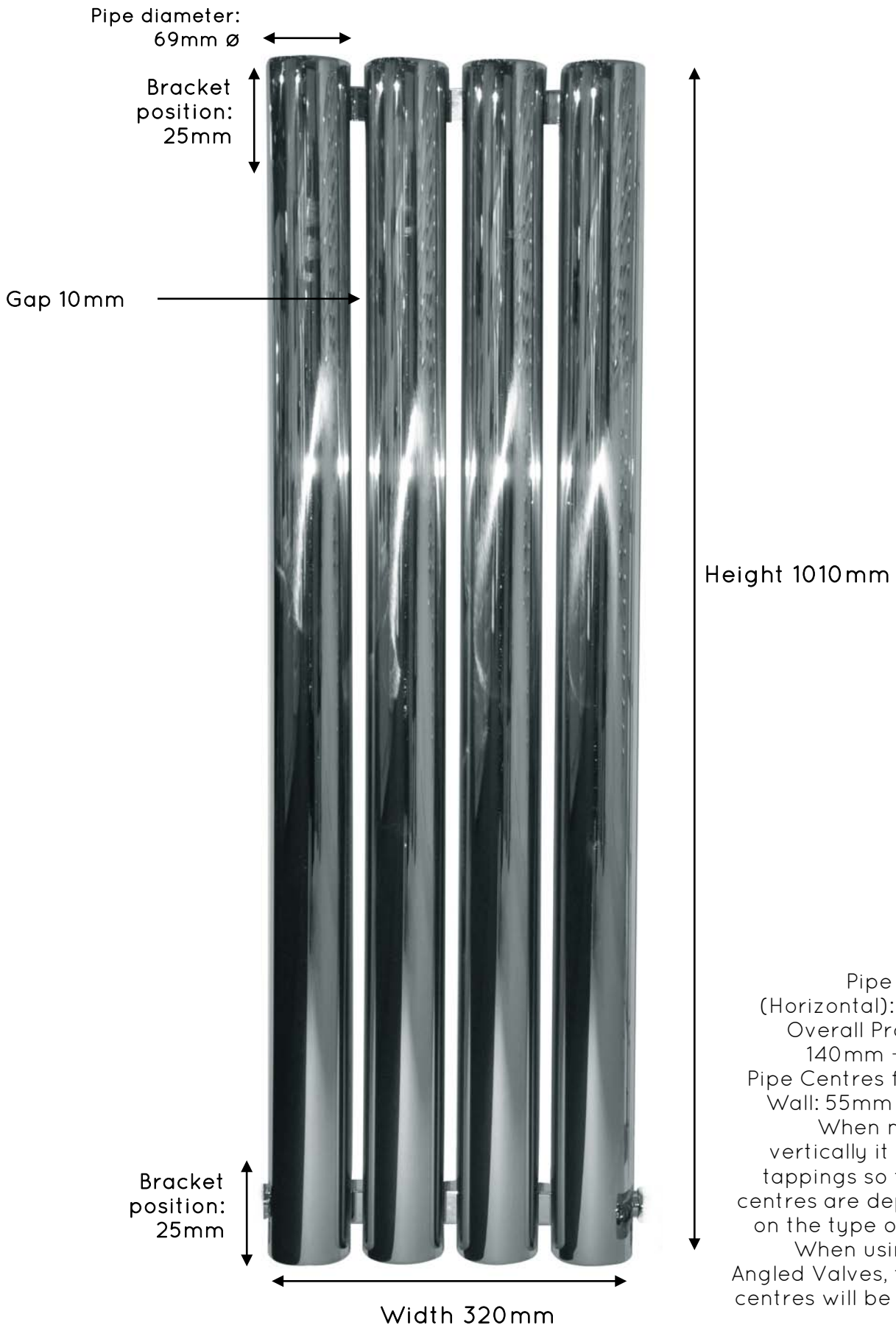


JIS EUROPE
100% STAINLESS STEEL
— EST 1997 —

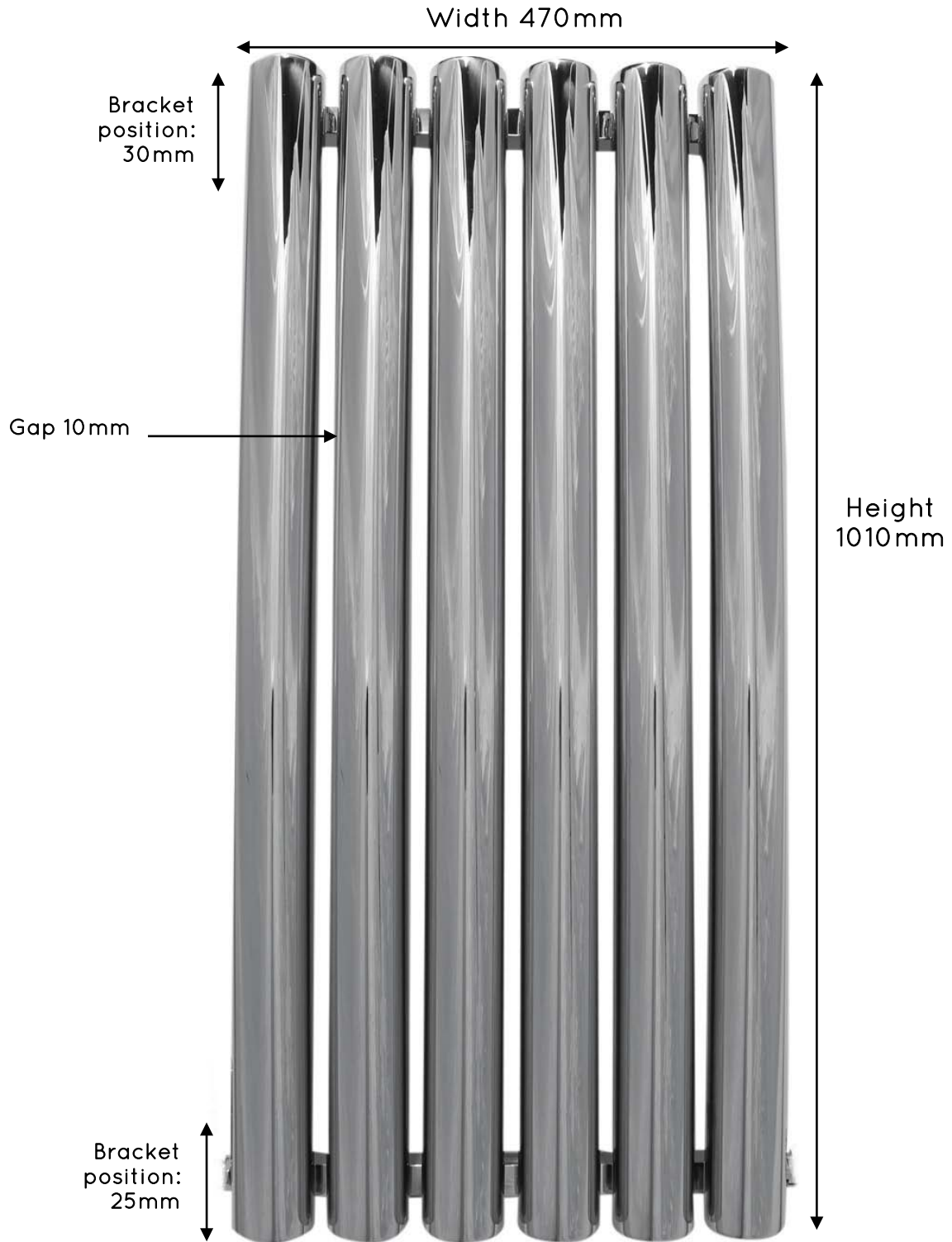
Mayfield 1010mm x 320mm



JIS EUROPE
100% STAINLESS STEEL
— EST 1997 —

HEATED TOWEL RAILS

Mayfield 1010mm x 470mm



Pipe Centres (Horizontal): 950mm

Overall Projection: 140mm - 160mm

Pipe Centres from the Wall: 55mm - 75mm

When mounted vertically it has side tappings so the pipe centres are dependent on the type of valves